

**Lever lateral  
spring centre - 3-positions** 5/3

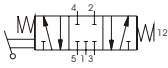
---

Ordering code

---

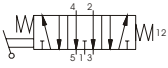
*Closed centres*


**228.53.31.9.1/1 Red**  
**228.53.31.9.1/2 Black**  
**228.53.31.9.1/3 Green**



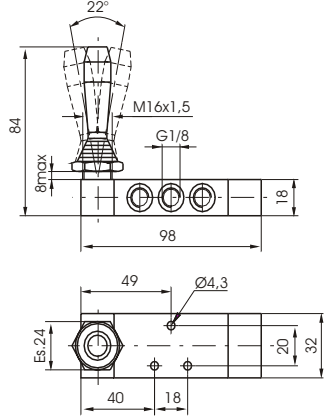
*Open centres*

**228.53.32.9.1/1 Red**  
**228.53.32.9.1/2 Black**  
**228.53.32.9.1/3 Green**





Weight gr. 190



**Lever lateral  
3-position detent** 5/3

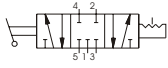
---

Ordering code

---


*Closed centres*


**228.53.31.9/1 Red**  
**228.53.31.9/2 Black**  
**228.53.31.9/3 Green**



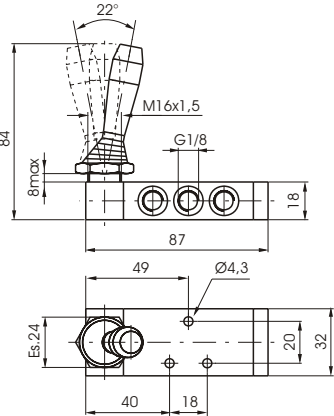
*Open centres*

**228.53.32.9/1 Red**  
**228.53.32.9/2 Black**  
**228.53.32.9/3 Green**





Weight gr. 160



**Lever central  
Technopolymer** 5/3

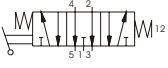
---


Ordering code

---

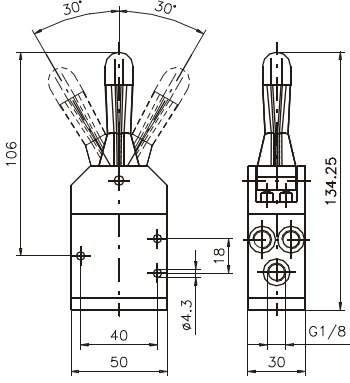
*Open centres  
spring - 3-positions*

**228.53.32.99/1 Red**  
**228.53.32.99/2 Black**





Weight gr. 140



Operational characteristics	Fluid	Max working pressure	Operating temperature		Flow rate at 6 bar with $\Delta p = 1$	$\varnothing$ Orefice size	Working port size
	Filtered and lubricated air	10 bar	min. -5°C	max. +70°C	410 Nl/min	mm 6	G 1/8"